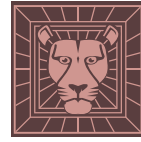


59"

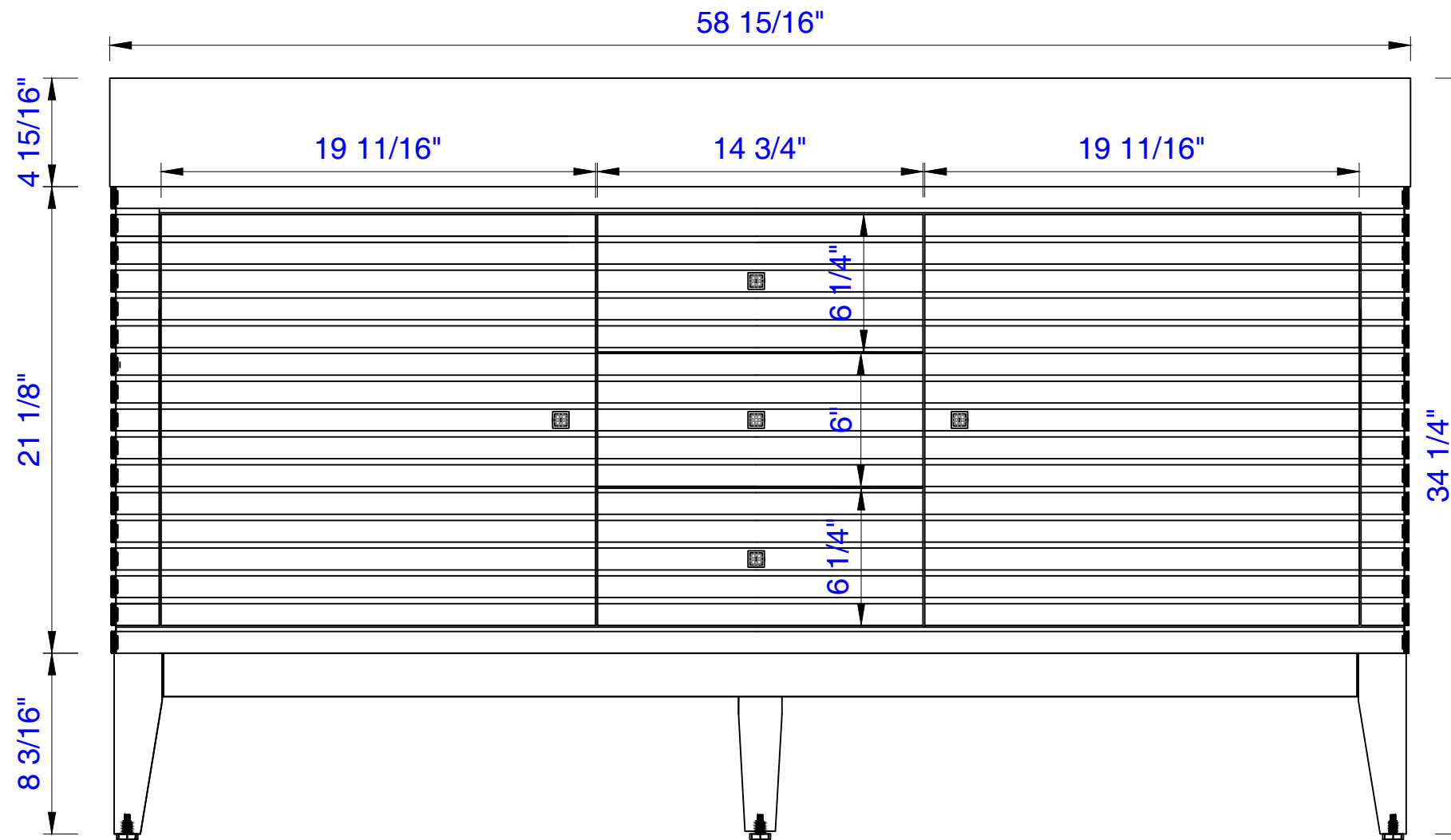
Item Number:  
210-V59D-GW  
210-V59D-WLT  
210-V59D-WW

JAMES MARTIN



VANITIES™

**Linear 59" Cabinet**  
Diagrams with Dimensions  
page 01 of 03



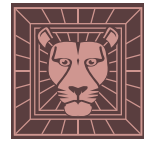
NOTE ONE: Countertop with integrated sink is shown on this cabinet  
NOTE TWO: This vanity does not have a Backsplash.

Version:201912

59"

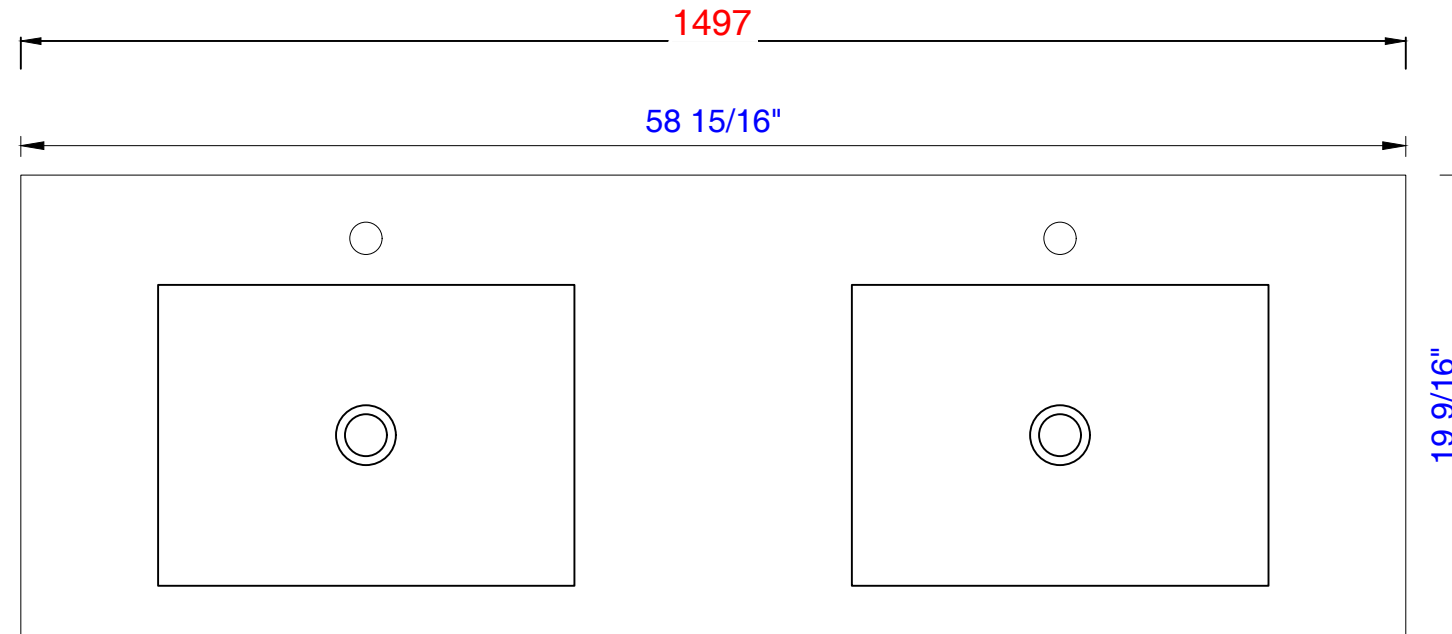
Item Number:  
210-V59D-GW  
210-V59D-WLT  
210-V59D-WW

JAMES MARTIN

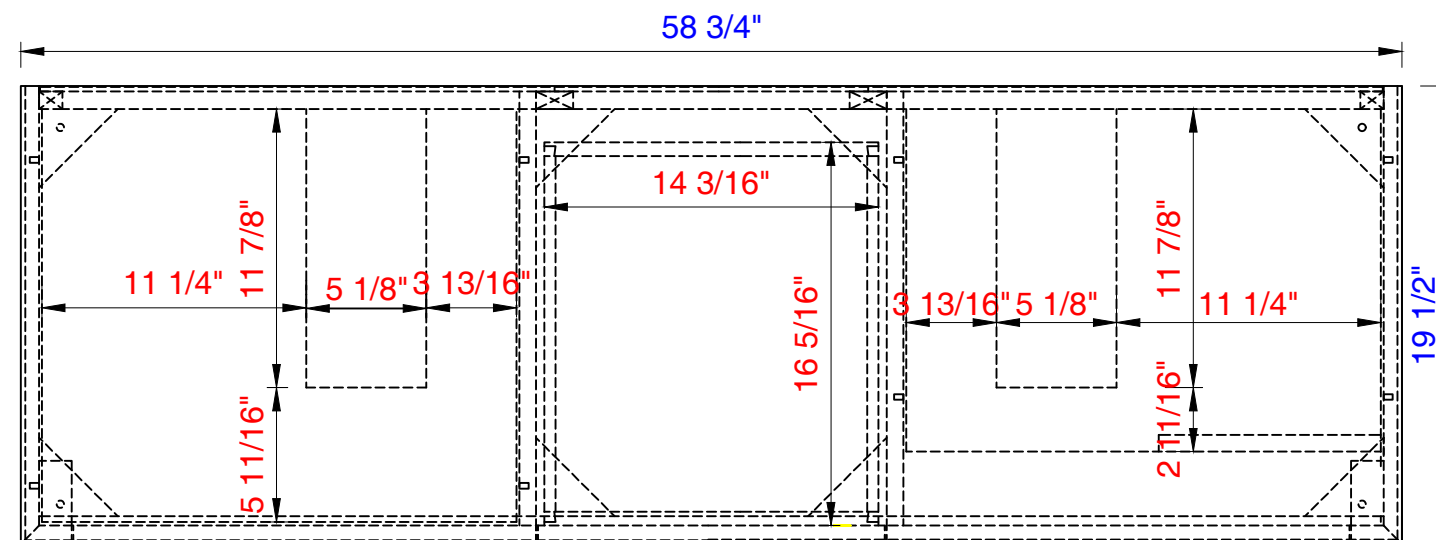


VANITIES™

**Linear 59" Cabinet**  
Diagrams with Dimensions  
page 02 of 03



Top



Cabinet

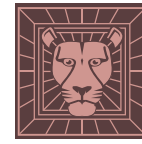
NOTE ONE: Countertop with integrated sink is shown on this cabinet.

Version:201912

59"

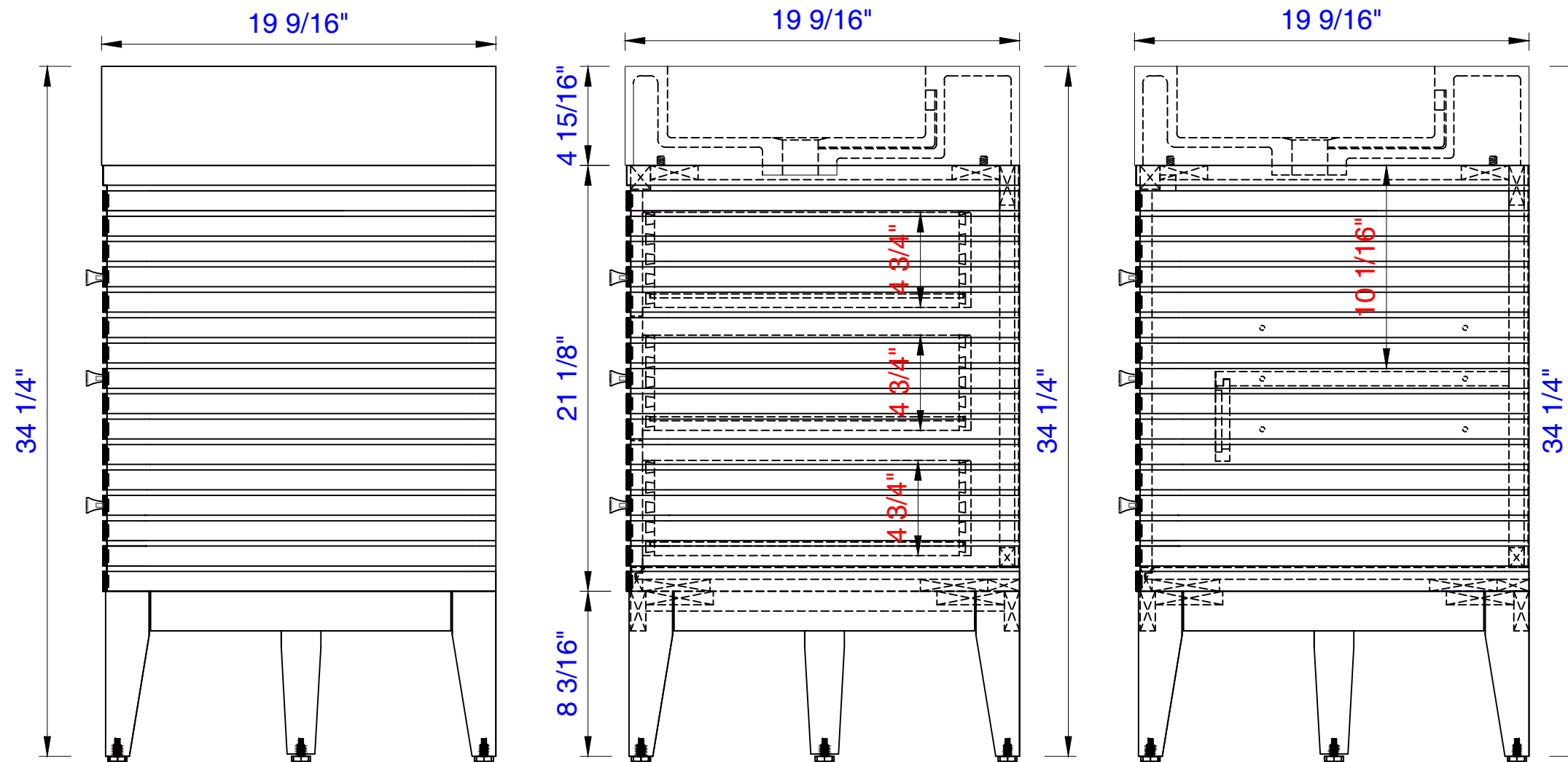
Item Number:  
210-V59D-GW  
210-V59D-WLT  
210-V59D-WW

JAMES MARTIN



VANITIES™

**Linear 59" Cabinet**  
Diagrams with Dimensions  
page 03 of 03



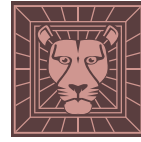
NOTE ONE: Countertop with integrated sink is shown on this cabinet  
NOTE TWO: This vanity does not have a Backsplash.

Version:201912

1497mm

Item Number:  
210-V59D-GW  
210-V59D-WLT  
210-V59D-WW

JAMES MARTIN

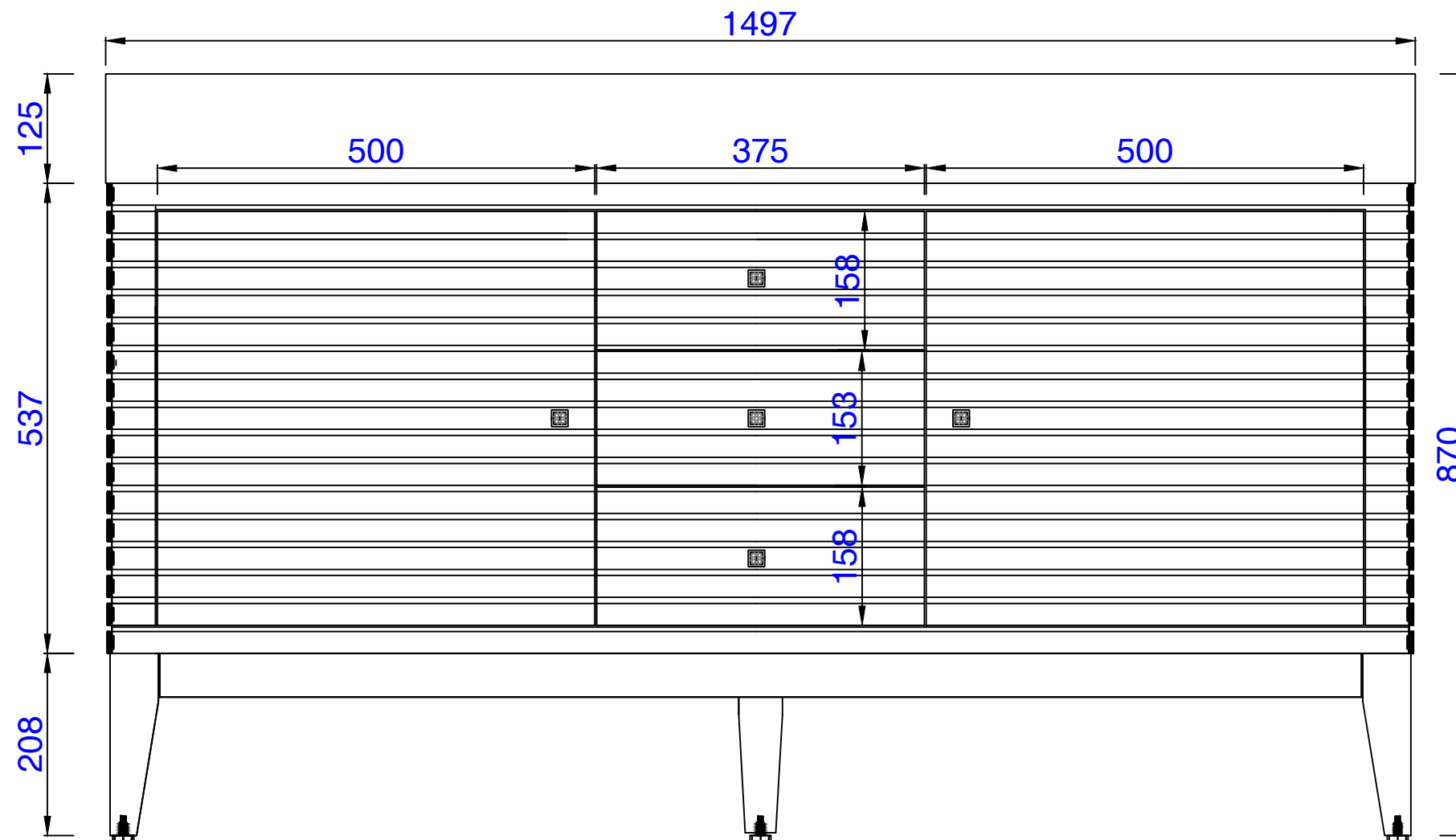


VANITIES™

# Linear 1497mm Cabinet

Diagrams with Dimensions

page 01 of 03



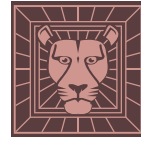
NOTE ONE: Countertop with integrated sink is shown on this cabinet  
NOTE TWO: This vanity does not have a Backsplash.

Version:201912

1497mm

Item Number:  
210-V59D-GW  
210-V59D-WLT  
210-V59D-WW

JAMES MARTIN

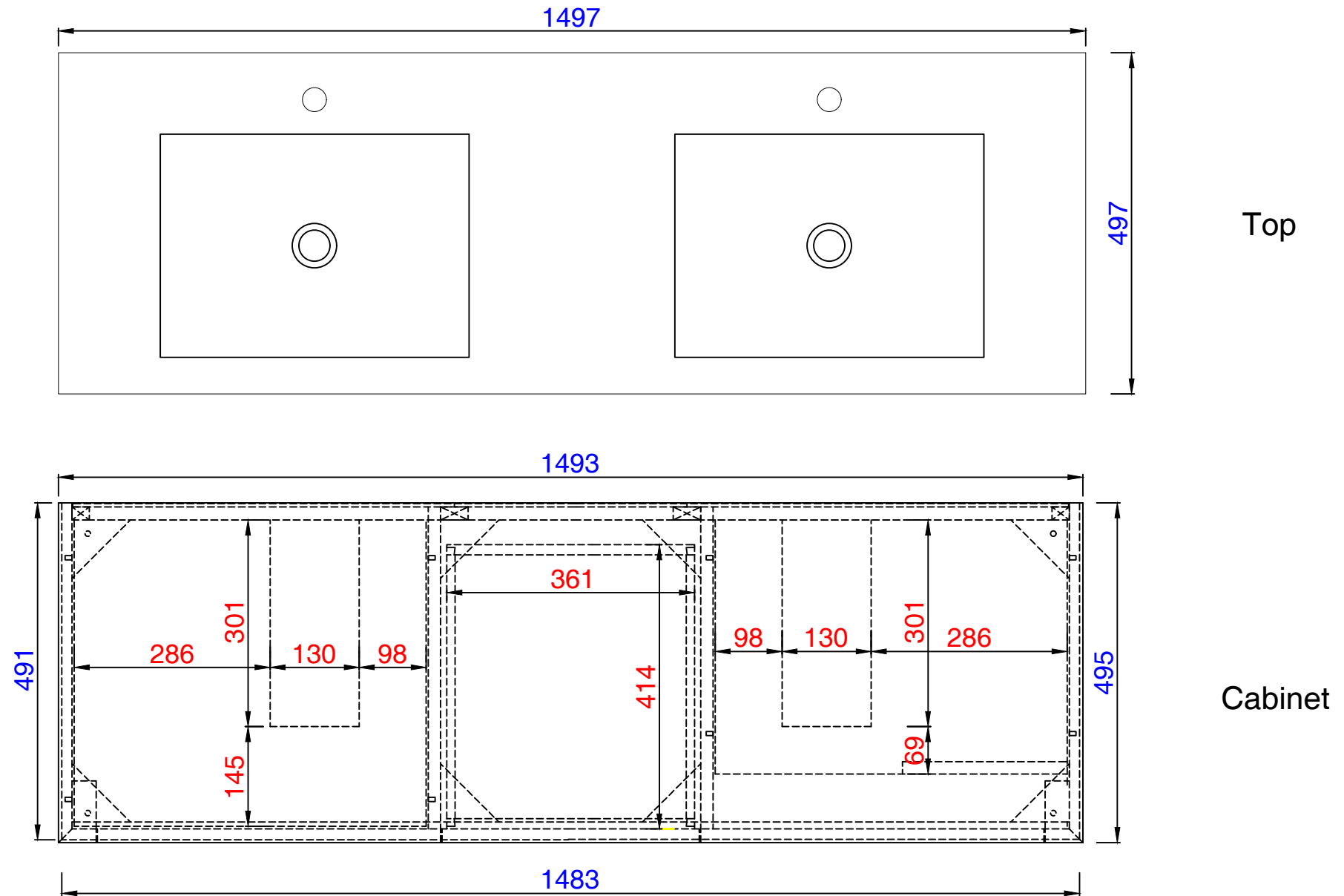


VANITIES™

# Linear 1497mm Cabinet

Diagrams with Dimensions

page 02 of 03



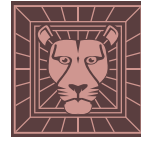
NOTE ONE: Countertop with integrated sink is shown on this cabinet.

Version:201912

1497mm

Item Number:  
210-V59D-GW  
210-V59D-WLT  
210-V59D-WW

JAMES MARTIN

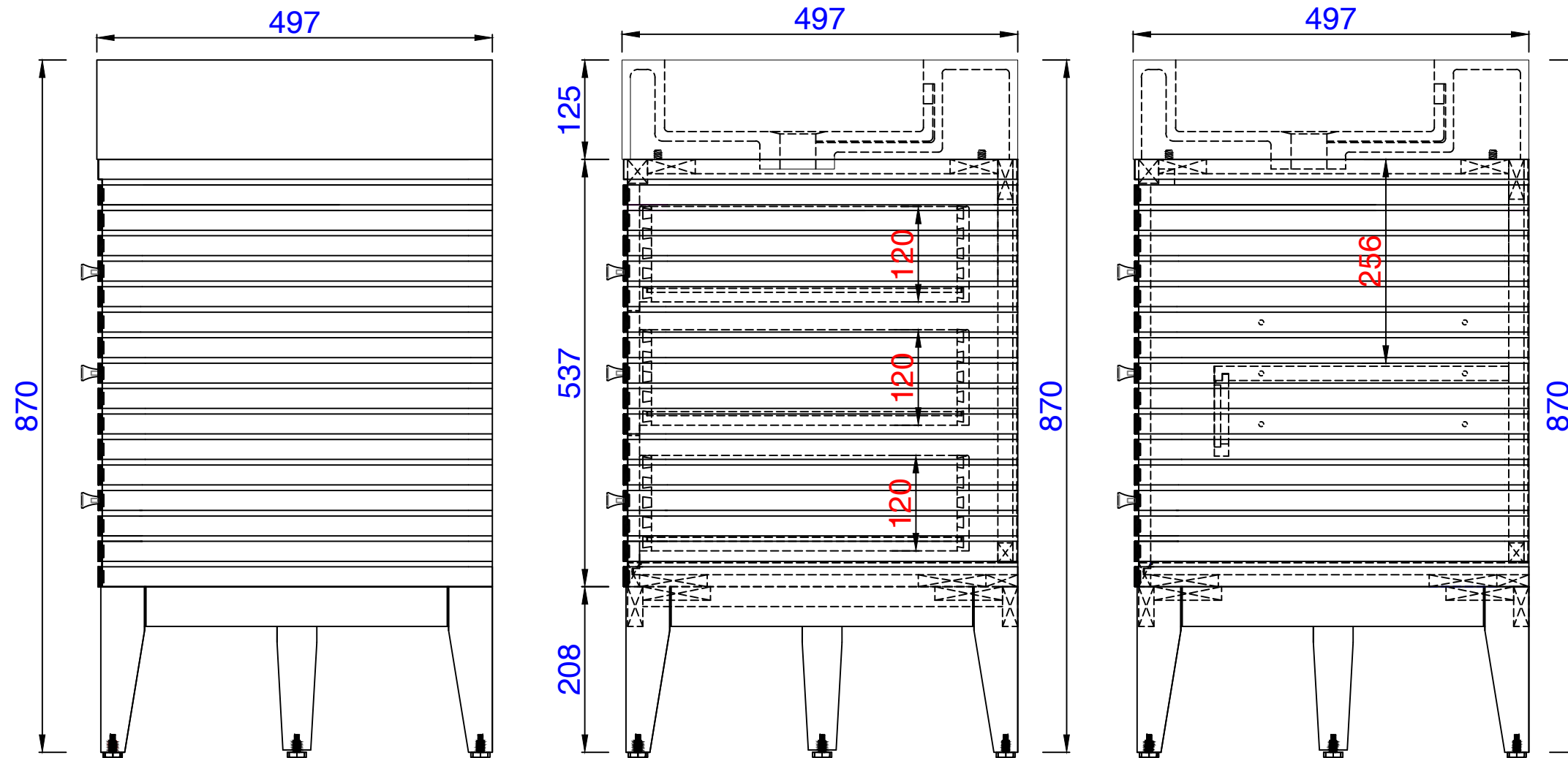


VANITIES™

# Linear 1497mm Cabinet

Diagrams with Dimensions

page 03 of 03



NOTE ONE: Countertop with integrated sink is shown on this cabinet  
NOTE TWO: This vanity does not have a Backsplash.

Version:201912